

POSITIONS/ CONTACTS	A		B		C	
	INCH±0.008	MM±0.20	INCH±0.016	MM±0.40	INCH±0.008	MM±0.20
02/04	0.079	2.00	0.181	4.60	NA	NA
03/06	0.157	4.00	0.260	6.60	0.079	2.00
04/08	0.236	6.00	0.339	8.60	0.157	4.00
05/10	0.315	8.00	0.417	10.60	0.236	6.00
06/12	0.394	10.00	0.496	12.60	0.315	8.00
07/14	0.472	12.00	0.575	14.60	0.394	10.00
08/16	0.551	14.00	0.654	16.60	0.472	12.00
09/18	0.630	16.00	0.732	18.60	0.551	14.00
10/20	0.709	18.00	0.811	20.60	0.630	16.00
11/22	0.787	20.00	0.890	22.60	0.709	18.00
12/24	0.866	22.00	0.969	24.60	0.787	20.00
13/26	0.945	24.00	1.047	26.60	0.866	22.00
14/28	1.024	26.00	1.126	28.60	0.945	24.00
15/30	1.102	28.00	1.205	30.60	1.024	26.00
16/32	1.181	30.00	1.283	32.60	1.102	28.00
17/34	1.260	32.00	1.362	34.60	1.181	30.00
18/36	1.339	34.00	1.441	36.60	1.260	32.00
19/38	1.417	36.00	1.520	38.60	1.339	34.00
20/40	1.496	38.00	1.598	40.60	1.417	36.00
21/42	1.575	40.00	1.677	42.60	1.496	38.00
22/44	1.654	42.00	1.756	44.60	1.575	40.00
23/46	1.732	44.00	1.835	46.60	1.654	42.00
24/48	1.811	46.00	1.913	48.60	1.732	44.00
25/50	1.890	48.00	1.992	50.60	1.811	46.00
26/52	1.969	50.00	2.071	52.60	1.890	48.00
27/54	2.047	52.00	2.150	54.60	1.969	50.00
28/56	2.126	54.00	2.228	56.60	2.047	52.00
29/58	2.205	56.00	2.307	58.60	2.126	54.00
30/60	2.283	58.00	2.386	60.60	2.205	56.00
31/62	2.362	60.00	2.465	62.60	2.283	58.00
32/64	2.441	62.00	2.543	64.60	2.362	60.00
33/66	2.520	64.00	2.622	66.60	2.441	62.00
34/68	2.598	66.00	2.701	68.60	2.520	64.00
35/70	2.677	68.00	2.780	70.60	2.598	66.00
36/72	2.756	70.00	2.858	72.60	2.677	68.00
37/74	2.835	72.00	2.937	74.60	2.756	70.00
38/76	2.913	74.00	3.016	76.60	2.835	72.00
39/78	2.992	76.00	3.094	78.60	2.913	74.00
40/80	3.071	78.00	3.173	80.60	2.992	76.00

PART NUMBER CODING

xPPNxx2GFNx-M81RC

MOUNTING STYLES

P - SURFACE MOUNT W/ GUIDE POSTS
S - SURFACE MOUNT W/O GUIDE POSTS

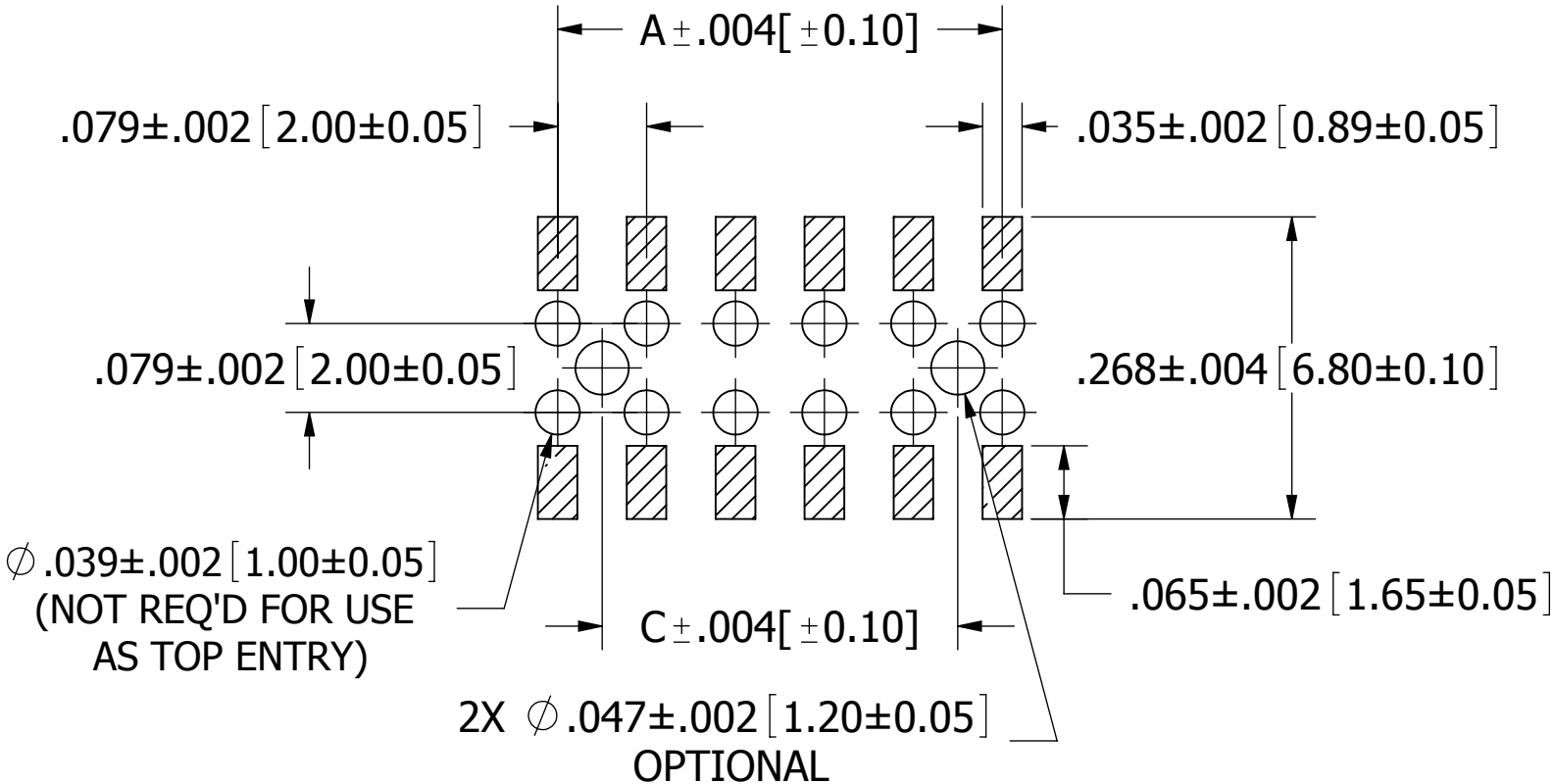
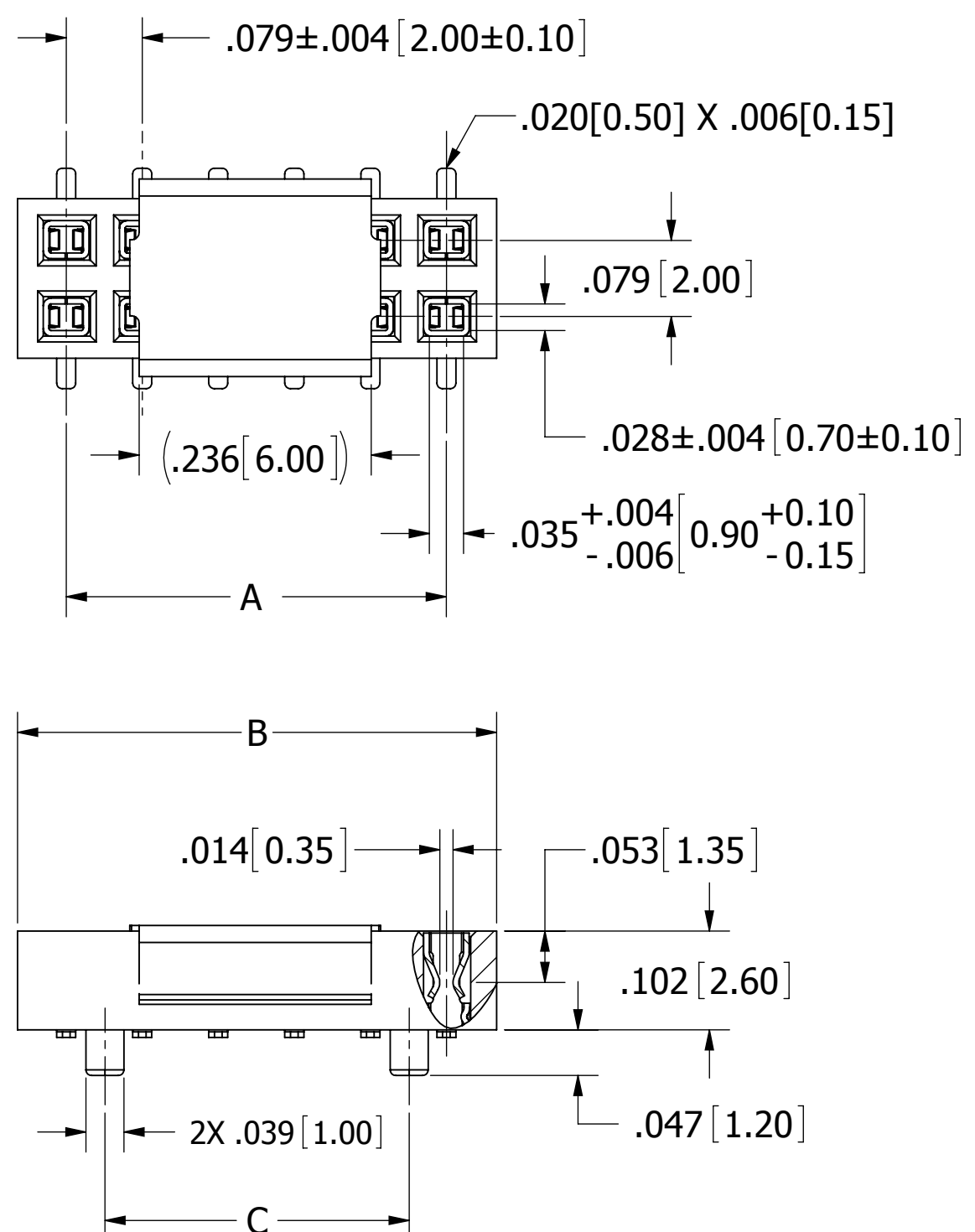
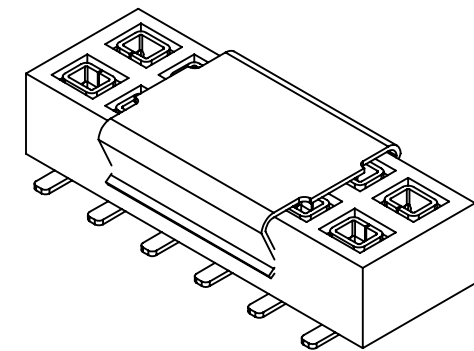
NUMBER OF POSITIONS

(CONTACTS PER ROW, 02 THRU 40)

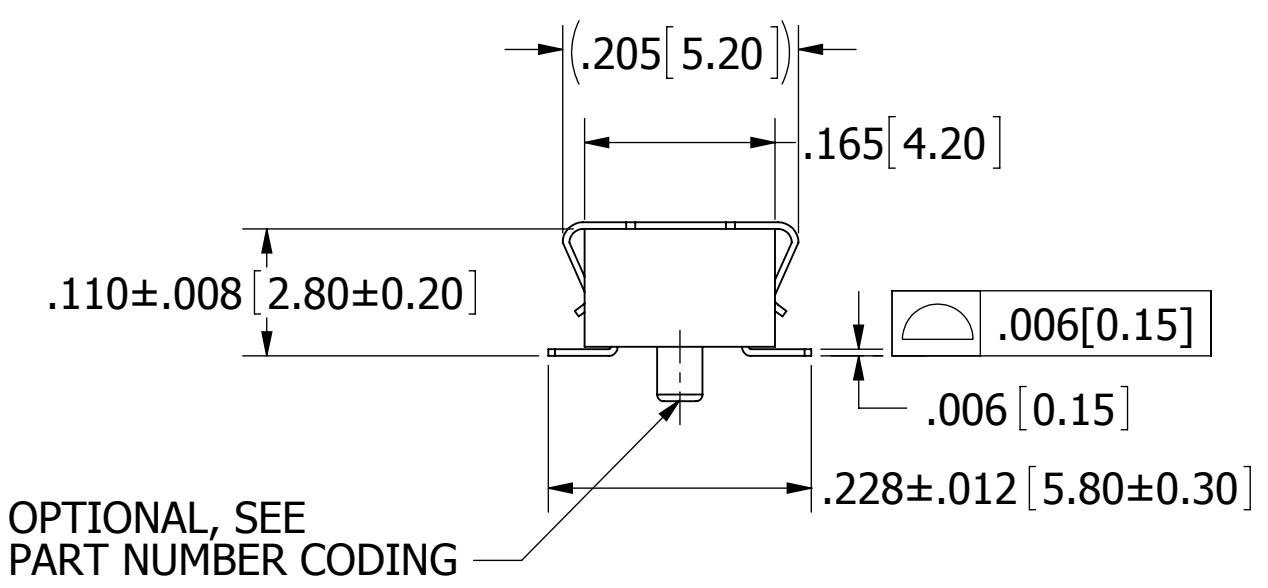
INSULATOR MATERIAL

N = NYLON 6T
OPERATING TEMPERATURE: -40°C TO +105°C
PORCESSING TEMP: WAVE/MANUAL SOLDERING
L = LCP
OPERATING TEMPERATURE: -40°C TO +125°C
PORCESSING TEMP: 260°C MAX FOR 10 SECONDS

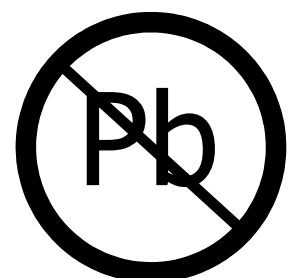
REVISIONS				
REV.	ECO. NO	DESCRIPTION	DATE	BY
A	2178	INITIAL RELEASE	02/14/2011	LH
B	2829	ADD INSULATOR MATERIAL 'LCP' OPTION	12/10/2014	LH



RECOMMENDED PCB LAYOUT

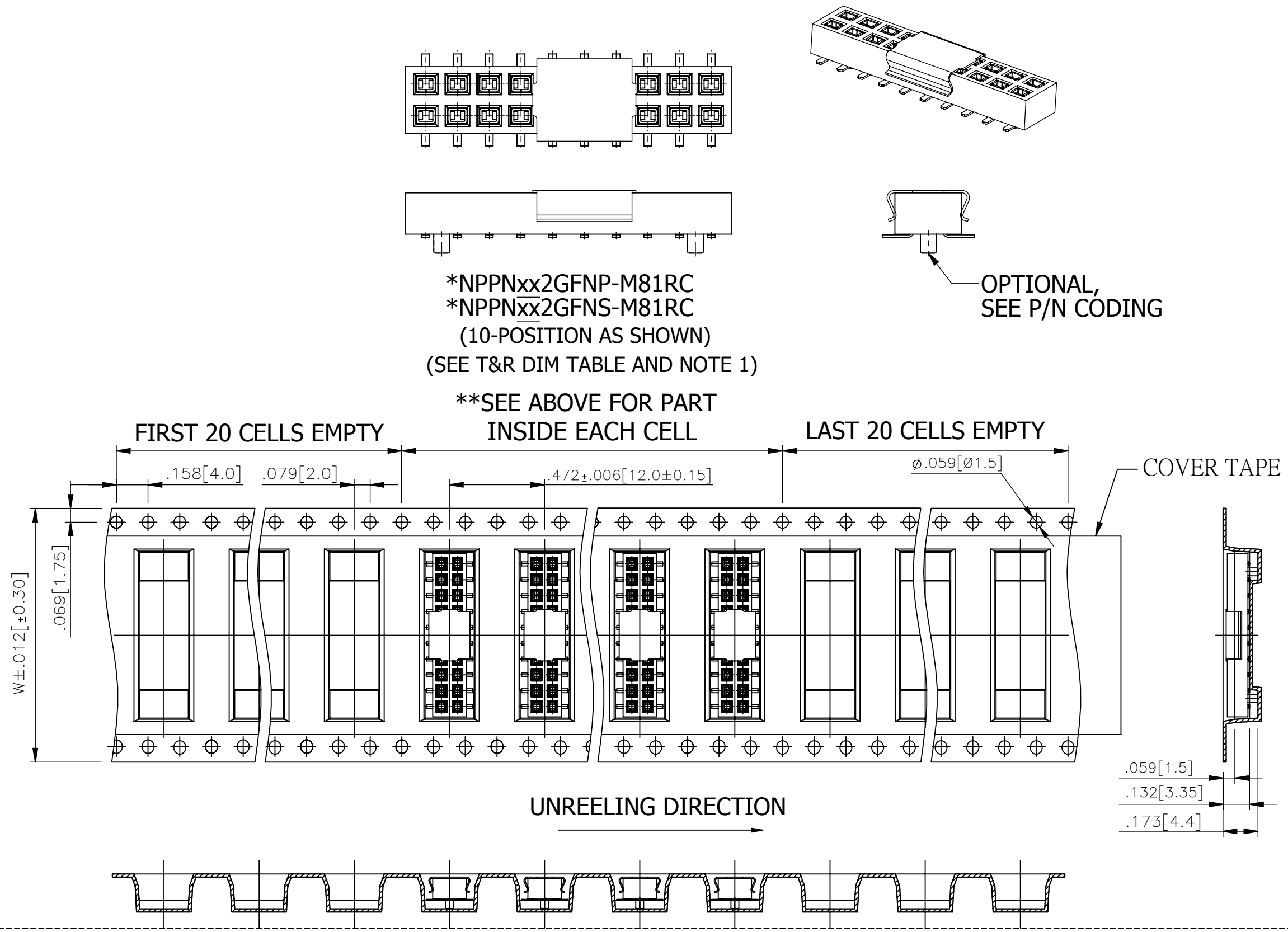


- NOTES:**
1. INSULATOR MATERIAL: SEE PART NUMBER CODING, UL 94V-0, COLOR: BLACK
 2. CONTACT MATERIAL: PHOSPHOR BRONZE
 3. CONTACT PLATING: .000030" ~ .000050" NICKEL UNDERPLATE, GOLD FLASH OVERALL
 4. CURRENT RATING: 2 AMPS
 5. VOLTAGE RATING: 150V AC/DC
 6. INSULATOR RESISTANCE: 5000 MEGOHMS MIN
 7. CONTACT RESISTANCE: 20 MILLIOHMS MAX
 8. DIELECTRIC WITHSTANDING: 500 VAC
 9. OPERATING TEMPERATURE: SEE PART NUMBER CODING
 10. MAX PROCESSING TEMP.: SEE PART NUMBER CODING
 11. MODIFICATION: WITH PICK AND PLACE CAP IN TAPE & REEL



RoHS COMPLIANT

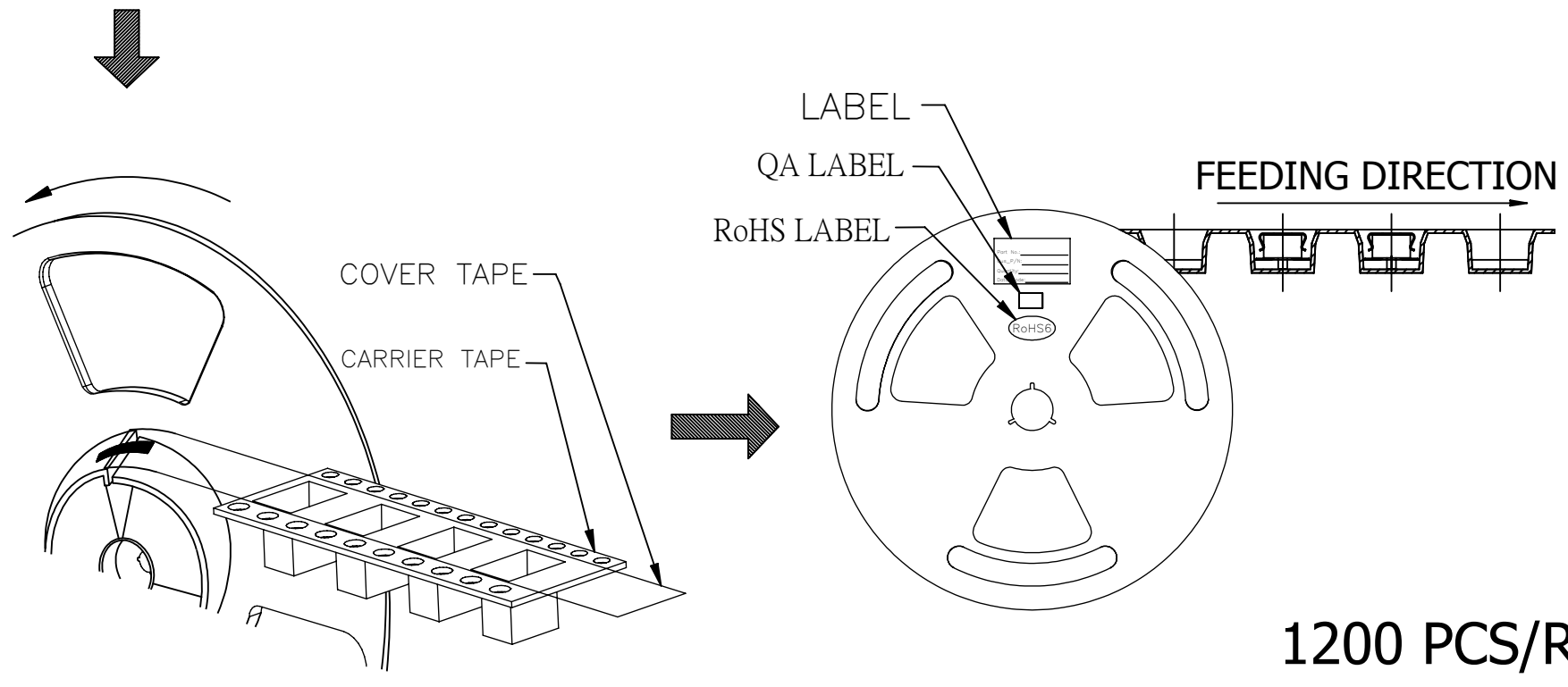
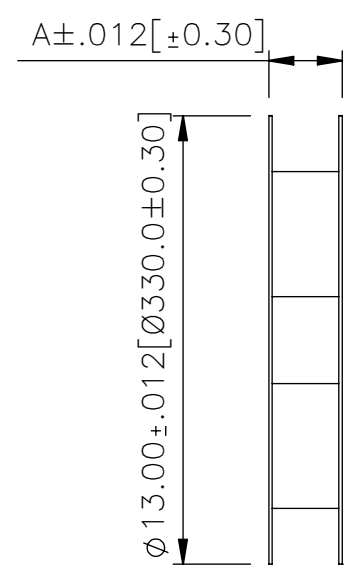
UNLESS OTHERWISE SPECIFIED: DIMENSIONS ARE IN INCHES [MM]	DRAWN	DATE	NAME	
		2/14/2011	LH	
TOLERANCES: ANGULAR: X.X=± .012 [0.30] X.XX=± .008 [0.20] X.XXX=± .006 [0.15]	<small>THE INFORMATION HEREIN CONTAINS PROPRIETARY INFORMATION OF SULLINS ELECTRONICS AND IS NOT TO BE REPRODUCED, USED OR DISCLOSED TO OTHERS FOR ANY PURPOSE EXCEPT AS SPECIFICALLY AUTHORIZED IN WRITING BY AN OFFICER OF SULLINS ELECTRONICS.</small>			TITLE
				HEADER FEMALE, .079"[2.0mm] PITCH, 2 ROWS, SMT
PART NUMBER				xPPNxx2GFNx-M81RC
SIZE	CAGE CODE	DWG. NO.	REV	
C	54453	11579	B	
SCALE: 6:1		SHEET 1 OF 2		



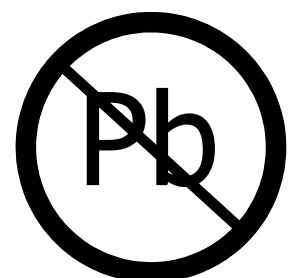
*NPNxx2GFNP-M81RC
 *NPNxx2GFNS-M81RC
 (10-POSITION AS SHOWN)
 (SEE T&R DIM TABLE AND NOTE 1)
 **SEE ABOVE FOR PART
 INSIDE EACH CELL

OPTIONAL,
 SEE P/N CODING

T & R DIMENSION TABLE				
POSITIONS/ CONTACTS	W		A	
	INCH	MM	INCH	MM
02/04	0.472	12.00	0.669	17.00
03/06 - 04/08	0.630	16.00	0.827	21.00
05/10 - 08/16	0.945	24.00	1.142	29.00
09/18 - 11/22	1.260	32.00	1.457	37.00
12/24 - 17/34	1.732	44.00	1.929	49.00
18/36 - 23/46	2.205	56.00	2.402	61.00
24/48 - 28/56	2.835	72.00	3.031	77.00
29/58 - 34/68	3.465	88.00	3.661	93.00
35/70 - 40/80	4.094	104.00	4.291	109.00



NOTE 1: WHEN THE CARRIER TAPE WIDTH IS EQUAL OR SMALLER THAN 24mm[.945"],
 Ø1.50mm[.059"] CARRIER HOLES ARE LOCATED ON SINGLE SIDE OF CARRIER TAPE.
 WHEN THE CARRIER TAPE WIDTH IS OVER THAN 24mm[.945"], Ø1.50mm[.059"]
 CARRIER HOLES ARE LOCATED ON DOUBLE SIDE OF CARRIER TAPE.



RoHS COMPLIANT

UNLESS OTHERWISE SPECIFIED:
 DIMENSIONS ARE IN INCHES [MM]

TOLERANCES:
 ANGULAR:
 X.X=± .012 [0.30]
 X.XX=± .008 [0.20]
 X.XXX=± .006 [0.15]

DRAWN	DATE	NAME
	2/14/2011	LH
<small>THE INFORMATION HEREIN CONTAINS PROPRIETARY INFORMATION OF SULLINS ELECTRONICS AND IS NOT TO BE REPRODUCED, USED OR DISCLOSED TO OTHERS FOR ANY PURPOSE EXCEPT AS SPECIFICALLY AUTHORIZED IN WRITING BY AN OFFICER OF SULLINS ELECTRONICS.</small>		
TITLE HEADER FEMALE, .079"[2.0mm] PITCH, 2 ROWS, SMT		
PART NUMBER xPPNxx2GFNx-M81RC		
SIZE	CAGE CODE	DWG. NO.
C	54453	11579
SCALE: 16:1		SHEET 2 OF 2

TITLE HEADER FEMALE, .079"[2.0mm] PITCH, 2 ROWS, SMT	
PART NUMBER xPPNxx2GFNx-M81RC	
SIZE	CAGE CODE
C	54453
DWG. NO.	11579
REV	B
SCALE: 16:1	
SHEET 2 OF 2	